

# LARGE FLUSH WOOD™ NEXGEN-FYRE™ WOOD BURNING INSERT



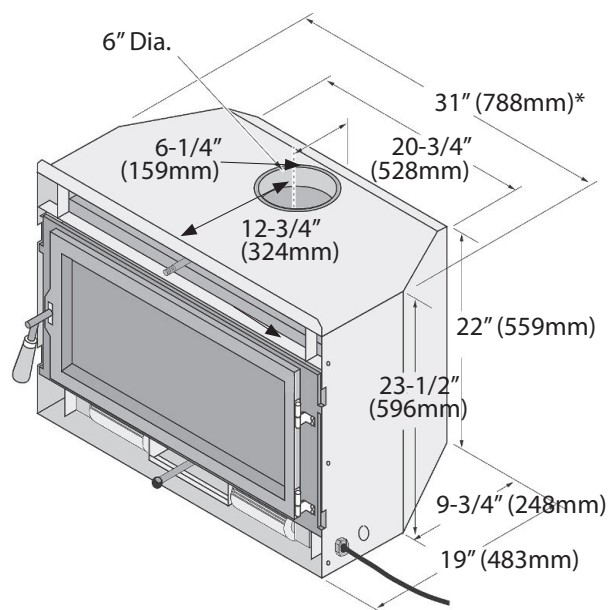
**EPA  
CERTIFIED**

*Shown with the Universal™ Face, seamless one-piece panel,  
GreenStart™ Igniter and Insert Wiring kit.*

## OUR CLEANEST BURNING LARGE WOOD INSERT

Turn your old, inefficient fireplace into a clean burning, cost-effective, and reliable source of heat with a NexGen-Fyre™ Large Flush Wood Insert by Lopi®. Our wood burning insert features a sleek, flush design that does not extend out onto the hearth to offer a classic, finished look that will complement any décor. All inserts feature a big, beautiful fire viewing area and concealed convection fans that increase the transfer and circulation of heat throughout your home. NexGen-Fyre™ takes our non-catalytic wood burning technology to the next level! With NexGen-Fyre™, primary and secondary combustion are harnessed to create the ultimate blended combustion system. This produces beautiful, balanced fires with double the BTU range, up to 50% greater heat output, and longer burn times than any other non-catalytic technology.

**Available in Arched or  
Rectangular Door Models.**



*\*GreenStart® igniter option requires additional firebox width measured 3" from front of fireplace opening.*

## SPECIFICATIONS

Emissions:	1.7 Grams Per Hour (Cord Wood)
Heating Capacity*:	1,500 to 2,500 Square Feet
EPA Tested BTU Range:	17,900 to 66,736 BTUs Per Hour
Real World BTUs:	<i>EPA tests to determine BTU output are achieved with a single load of wood at each burn rate. At home, you are likely to add more wood to your insert to maintain your desired comfort level. By the simple process of loading your fireplace insert with additional wood, you could achieve up to a 20% higher heat output than established during EPA testing.</i>
Efficiency:**	73% HHV
Maximum Burn Time:	Up to 12 Hours
Firebox Size:	3.0 Cubic Feet
Maximum Log Size:	24 Inches
Weight:	530 Pounds
Construction:	5/16" to 1/4" Steel Plate
Bypass Damper:	Yes
Glass Viewing Area:	24-1/2"W x 13"H (307 Sq. In. Arch, 319 Rect.)

\* Heating capacity may vary depending on degree of home insulation, floor plan and ambient temperature zone of the area you live.

\*\*As tested using B-415.1 using Cord Wood. HHV = High Heat Value

## OPTIONS

- Insert Wiring Kit
- **GREEN START**. Igniter

### RECTANGULAR DOOR FACE OPTIONS



*Universal Face*  
Metallic Black paint finish  
35-3/8" W x 25-3/4" H

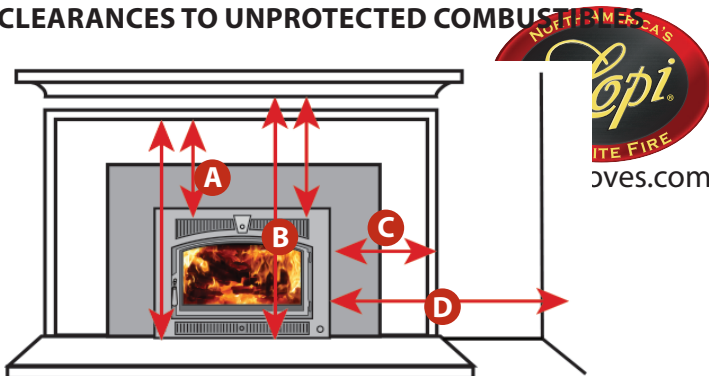


*Times Square™ Face*  
Metallic Black paint finish  
37-3/4" W x 25-3/4" H



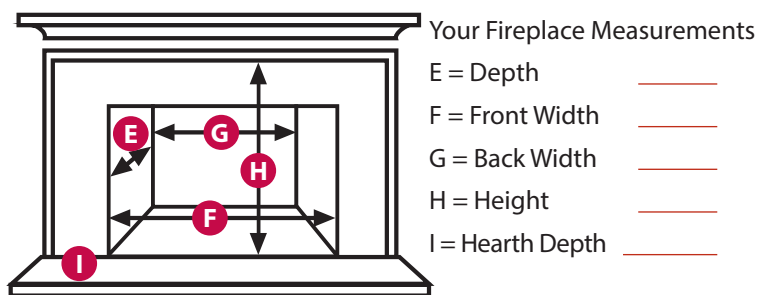
*Boston™ Face*  
Metallic Black paint finish  
36-1/4" W x 25" H

## CLEARANCES TO UNPROTECTED COMBUSTIBLES



	Masonry	Metal (ZC)
A = Insert Base to Mantel	41"	41"
B = Insert Base to Top Facing	37"	37"
C = Firebox Side to Side Facing	5-1/2"	5-1/2"
D = Firebox Side to Side Wall	10-1/2"	10-1/2"

## SIZING YOUR FIREPLACE FOR AN INSERT



Your Fireplace Measurements

E = Depth	_____
F = Front Width	_____
G = Back Width	_____
H = Height	_____
I = Hearth Depth	_____

Please use the provided chart above to mark down your fireplace dimensions. This will assist you in determining the right Lopi insert for your fireplace.

Approved ZC Fireplaces: Approved for Marco®, Majestic®, Heatilator®, Superior®, Preway® and Tempco® zero clearance fireplaces. See the Owner's Manual for details.

### ARCHED DOOR FACE OPTIONS



*Wilmington Face*  
Metallic Black paint finish  
35-1/4" W x 26-3/8" H



*Boston™ Face*  
Metallic Black paint finish  
36-1/4" W x 25" H



lopi.com