


Wood Fireplace Inserts

Clydesdale Model 8492

HearthStone's classic wood burning fireplace insert with TruHybrid™ technology.


Efficiency
79%
HHV


HeatLife™
24
Hours


EPA Certified
1.16
g/hr



Features

TruHybrid™ Efficiency

The Clydesdale uses our TruHybrid technology. Engage the catalyst and turn your stove down for slow and efficient overnight burns.

Open view of the fire

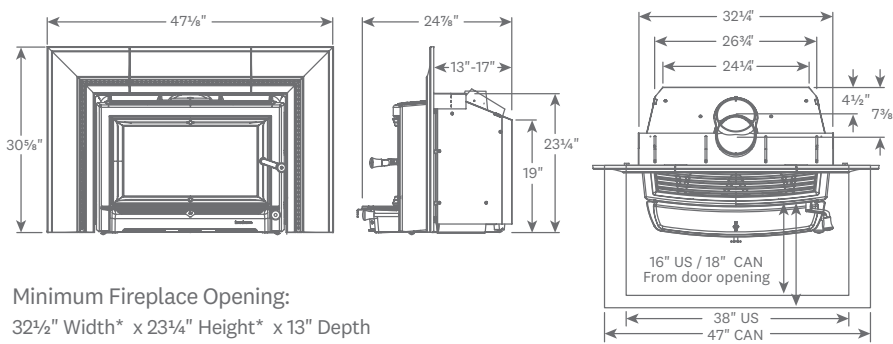
The Clydesdale's large open window lets you see as much fire as possible. Enjoy the ambiance of a fireplace and the efficiency of HearthStone.

Soapstone firebox

Burn up to 24 inch logs in the soapstone lined firebox. Soapstone retains the maximum heat from you fire and radiates steady warmth as your insert burns.



Dimensions & Installation



Minimum Fireplace Opening:
 32½" Width* x 23¼" Height* x 13" Depth
 *Hearth may taper to 27"W x 21"H at the back wall

Minimum Hearth Protection:
 Masonry hearths 7" or higher: Ember Protection Only
 Hearths less than 7" tall: Insulation Required, R-1.5

Clearances

- 8" combustible mantel from bottom of insert - 39½"
- 8" shielded mantel from bottom of insert - 33¾"
- To side trim from side of insert body - 8"
- To side wall from side of insert body - 11"

Note: All information is for reference only. Refer to the owner's manual for full specification and installation details.

Finish Options



Matte Black



Brown Enamel

Specifications

HHV Efficiency	79%
HeatLife™*	24 hours
EPA Certified	1.16 g/hr
Heats up to.....	2,000 sq ft
Firebox Capacity.....	2.4 cu ft
BTU.....	Up to 60,000
Maximum Log Length	22"
Flue Exit & Diameter.....	6", 2 positions
Convection Blower.....	Included
Actual Weight	550 lbs.

Accessories

Mantel Shield	94-79700
Surround Extension	94-5990010
Surround Base Caps	94-5970610/20

* Under the right conditions, you will be able to start a new fire with kindling up to the end of the product's HeatLife™.