



LopiStoves.com

EVERGREEN NEXGEN-FYRE™ WOOD BURNING INSERT



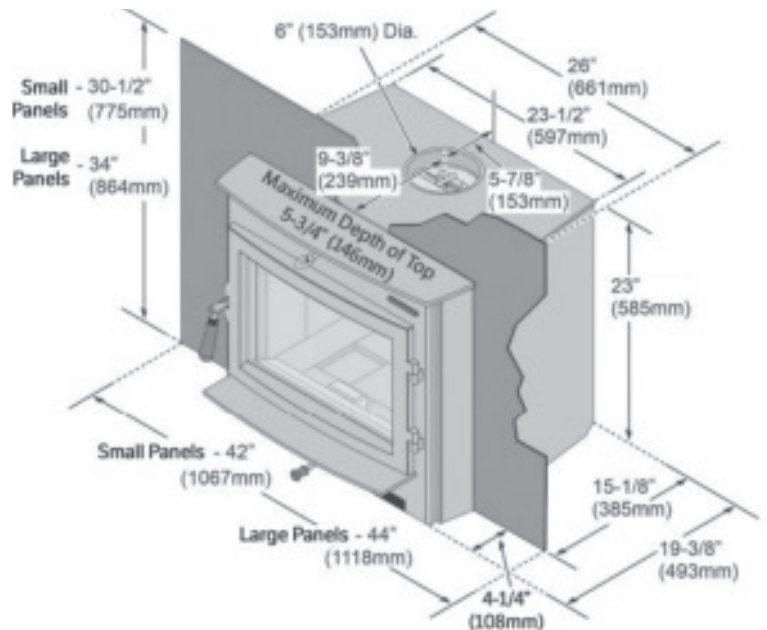
**SAVE UP TO 26% WITH THE US FEDERAL BIOMASS TAX CREDIT
INCLUDES MODEL, ACCESSORIES, AND INSTALLATION**

PLEASE CONSULT WITH YOUR TAX ADVISOR TO CONFIRM YOUR ELIGIBILITY FOR THIS TAX CREDIT

PREMIUM CONTEMPORARY INSERT WITH BIG HEAT OUTPUT

The mid-sized Evergreen NexGen-Fyre™ Wood Insert hits the mark on performance, function, and design. This sleek insert presents clean lines and complements any home's décor, while featuring heavy gauge steel unibody construction and a three-piece cast iron door assembly. The result is exquisite and reliable heat for decades to come.

- Clean-burning NexGen-Fyre™ non-catalytic technology
- Bypass damper gives you full control over the flow of smoke inside the firebox, eliminating smoky startups and reloads
- Self-cleaning high-temperature ceramic glass
- Three-sided convection chamber naturally circulates heat and evenly distributes warm air
- Single air control effortlessly regulates the burn rate
- Built to last with heavy duty stainless steel tubes, real kiln-fired refractory firebrick, and unibody construction
- Three-piece cast iron door and sealing plate featuring:
 - Knife-edge face seal
 - Cast iron glass retainer
 - Cast iron door with massive viewing area
- Easy-latch door handle securely locks into place
- Optional 130 CFM convection fan for increased heat transfer
- Approved for masonry and zero clearance fireplaces
- Free wood moisture meter included



EVERGREEN NEXGEN-FYRE™ WOOD BURNING INSERT

ADVANCED NEXGEN-FYRE™ TECHNOLOGY

NexGen-Fyre™ takes our non-catalytic wood burning technology to the next level! With NexGen-Fyre™, primary and secondary combustion are harnessed to create the ultimate blended combustion system that produces beautiful, balanced fires with double the BTU range, up to 50% greater heat output, and longer burn times than any other non-catalytic technology.

SPECIFICATIONS

Emissions:	1.5 Grams Per Hour
Heating Capacity:*	Up to 2,000 Square Feet
EPA Tested BTUs:	12,772 to 70,720
Overall Efficiency:**	77.1% HHV

* Heating capacity may vary depending on degree of home insulation, floor plan and ambient temperature zone of the area you live.

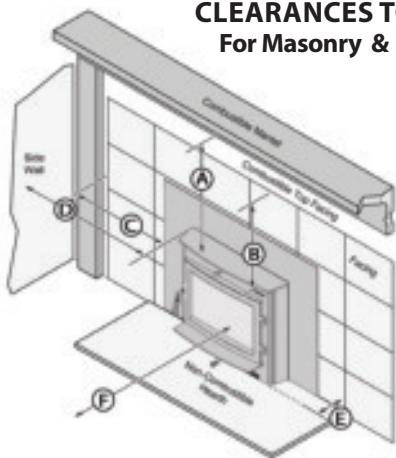
**As tested using B-415.1 using Cord Wood. HHV = High Heat Value

Construction:	Heavy-Duty 5/16" to 3/16" Steel
Glass Area:	183 Sq. In. (16-7/8" W x 10-7/8" T)
Maximum Burn Time:	Up to 10 Hours
Firebox Size:	2.2 Cubic Feet
Maximum Log Size:	20-1/2 Inches
Bypass Damper:	Yes
Weight:	405 Pounds

OPTIONS

- Small One Piece Panel: 30.5" H x 42" W
- Large One Piece Panel: 34" H x 44" W
- 130 CFM Convection Fan

CLEARANCES TO COMBUSTIBLES For Masonry & Metal (ZC) Fireplaces



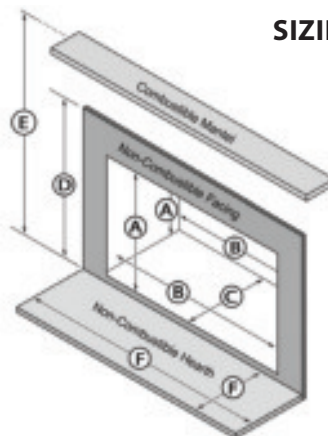
**Non-Combustible
Hearth
Clearances**

Front of Insert
16" (407mm) USA
18" (458mm) CANADA

Sides of Insert
6" (153mm) USA
8" (204mm) CANADA

A = Firebox Top to Mantel	20" (508mm)
B = Firebox Top to Top Facing	13-3/4" (350mm)
C = Firebox Side to Side Facing	8" (204mm)
D = Firebox Side to Side Wall	18" (458mm)
E = Extension onto Hearth	4-1/4" (108mm)
F = Any Combustible In Front of Insert	36" (915mm)

SIZING YOUR FIREPLACE FOR AN INSERT



Your Fireplace Measurements

A = Height Front	_____
Height Back	_____
B = Width Front	_____
Width Back	_____
C = Depth	_____
D = Facing Height	_____
E = Mantle Height	_____
F = Depth & Width	_____ x _____

Minimum Fireplace Requirements

A = Height	Front and Back 23-1/4" (591mm)	F= Insert must have a non-combustible hearth pad that extends a minimum of 20-1/4" (515mm) USA, 22-1/4 (566mm) CANADA in front of the fireplace with a minimum width of 38" (966mm) USA, 42" (1067mm) CANADA.
B = Width	Front 26-1/4" (667mm) Back 23-3/4" (603mm)	
C = Depth	15-1/4" (388mm) 14" (356mm) when using trim	
D = Facing Height	36-3/4" (934mm)	
E = Mantle Height	43" (1093mm)	



Manufactured in
Mukilteo, WA
By Travis Industries
© 11/2021
98801580

Travis Industries Wood Burning Stoves and Inserts are protected by one or more of the following patents; U.S. 9,170,025, 4,665,889 as well as other U.S. and Foreign Patents pending. Travis Industries reserves the right to alter or improve its products at any time without notification. All trademarks belong to Travis Industries. For installation specifications refer to the Owner's Manual found on our consumer websites.