

ANSWER NEXGEN-FYRE™ WOOD BURNING INSERT

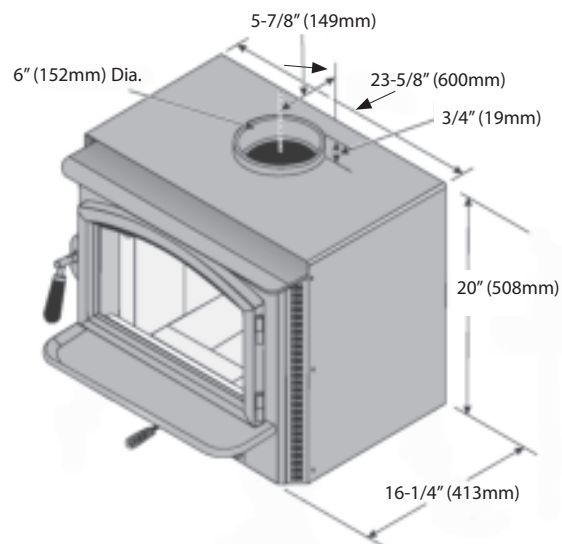


**EPA
CERTIFIED**

SMALL INSERT WITH GREAT CONVECTIVE HEAT

The Answer NexGen-Fyre™ is an excellent heat source for individual rooms or small homes. It conserves space by mounting almost flush to your existing masonry or zero clearance fireplace. This insert has a huge viewing area and sleek door design, along with a 1.5 cubic foot firebox that holds up to 18-inch logs. The Answer NexGen-Fyre™ offers advanced features like a five-sided convection chamber to evenly distribute warm air and a single air control for easy regulation of burns and heat output.

We dare you to compare! The Answer NexGen-Fyre™ is 2020 EPA Certified using the new EPA CORD WOOD protocol, rather than the CRIB WOOD protocol that most other manufacturers test to. By testing with CORD WOOD, you get a true real world measurement of how well the appliance will burn and perform in your home.



ANSWER NEXGEN-FYRE™ WOOD BURNING INSERT

NEXGEN-FYRE™

NexGen-Fyre™ takes our non-catalytic wood burning technology to the next level! With NexGen-Fyre™, primary and secondary combustion are harnessed to create the ultimate blended combustion system that produces beautiful, balanced fires with double the BTU range, up to 50% greater heat output, and longer burn times than any other non-catalytic technology.

SPECIFICATIONS

| | |
|-----------------------|--|
| Emissions: | 2.0 Grams Per Hour |
| Heating Capacity:* | 750 to 1,200 Square Feet |
| EPA Tested BTU Range: | 12,129 to 59,529 BTUs Per Hour |
| Real World BTUs: | <i>EPA tests to determine BTU output are achieved with a single load of wood at each burn rate. At home, you are likely to add more wood to your insert to maintain your desired comfort level. By the simple process of loading your fireplace insert with additional wood, you could achieve up to a 20% higher heat output than established during EPA testing.</i> |
| Maximum Burn Time: | Up to 8 Hours |
| Efficiency:** | 72.4% HHV |

* Heating capacity may vary depending on degree of home insulation, floor plan and ambient temperature zone of the area you live.

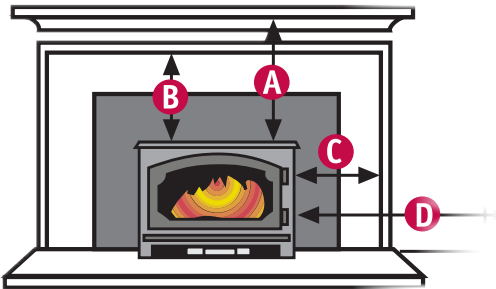
**As tested using B-415.1 using Cord Wood HHV = High Heat Value

| | |
|---------------------|---------------------------------|
| Glass Viewing Area: | 135 sq. in (15-1/4"W x 9-1/4"H) |
| Firebox Size: | 1.5 Cubic Feet |
| Maximum Log Size: | 18" |
| Weight: | 285 Pounds |
| Construction: | 5/16" to 3/16" Steel Plate |

OPTIONS

- One Piece Finish Panels
Custom Panels also available through your Lopi Dealer
- 130 CFM Convection Fan
- High Temperature Insert Wiring Kit

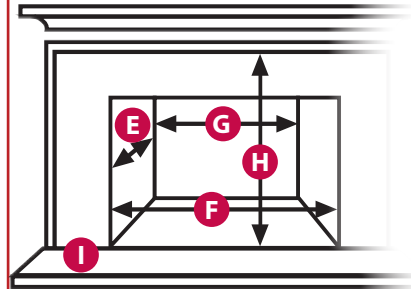
CLEARANCES & HEARTH PROTECTION



All Inserts must have a non-combustible hearth pad that extends a minimum of 16" in front of the insert and 8" to the sides.

| | Masonry | Metal (ZC) |
|---------------------------------|---------|------------|
| A = Firebox to Mantel | 35-1/2" | 44" |
| B = Firebox to Top Facing | 32" | 32" |
| C = Firebox Side to Side Facing | 9-1/2" | 12" |
| D = Firebox Side to Side Wall | 13" | 13" |

SIZING YOUR FIREPLACE FOR AN INSERT



Your Fireplace Measurements

| | |
|------------------|-------|
| E = Depth | _____ |
| F = Front Width | _____ |
| G = Back Width | _____ |
| H = Height | _____ |
| I = Hearth Depth | _____ |

Please use the provided chart above to mark down your fireplace dimensions. This will assist you in determining the right Lopi insert for your fireplace.

Approved ZC Fireplaces: The Answer™ insert is approved for Marco®, Majestic®, Heatilator®, Superior®, Preway® and Tempco® zero clearance fireplaces. See the Owner's Manual for details.